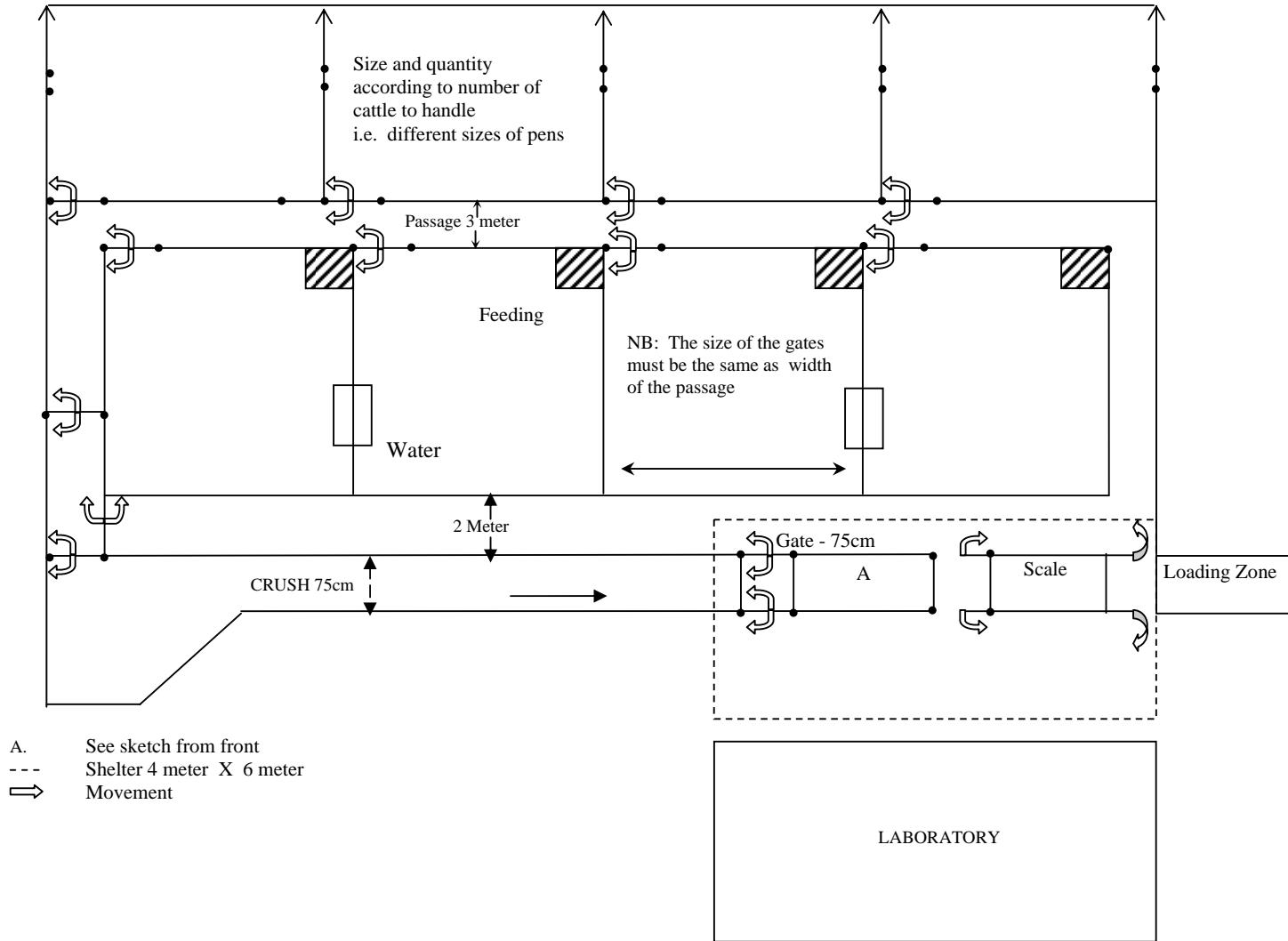


# STUD ANIMAL UNIT

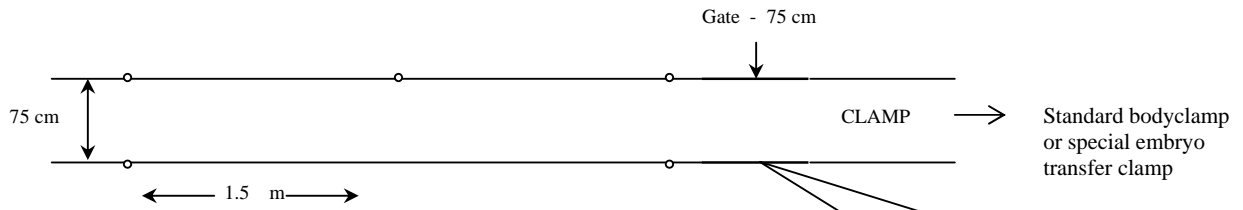
## GRONDPLAN MET KRAAL:

The best way to work with cattle is to erect the facility in such a way that the cattle move in a circle and that unnecessary labor and chasing is eliminated.

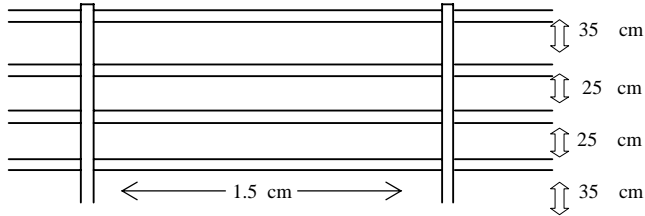
Kraal can be extended in this direction



CRUSHPEN AS SEEN FROM ABOVE:



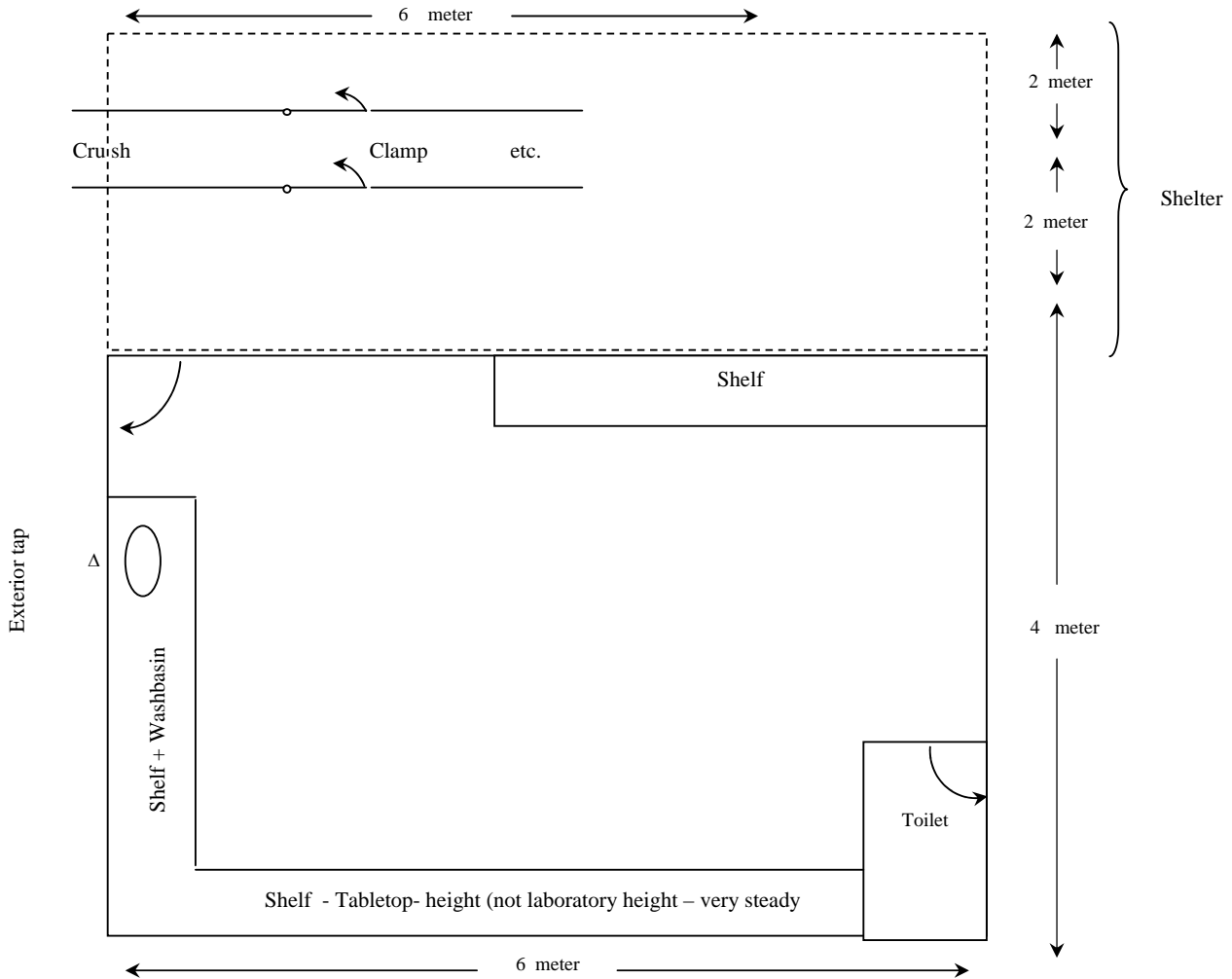
CRUSHPEN AS SEEN FROM THE SIDE:



NB Size of gates must be the same size as the inside width of the crush.

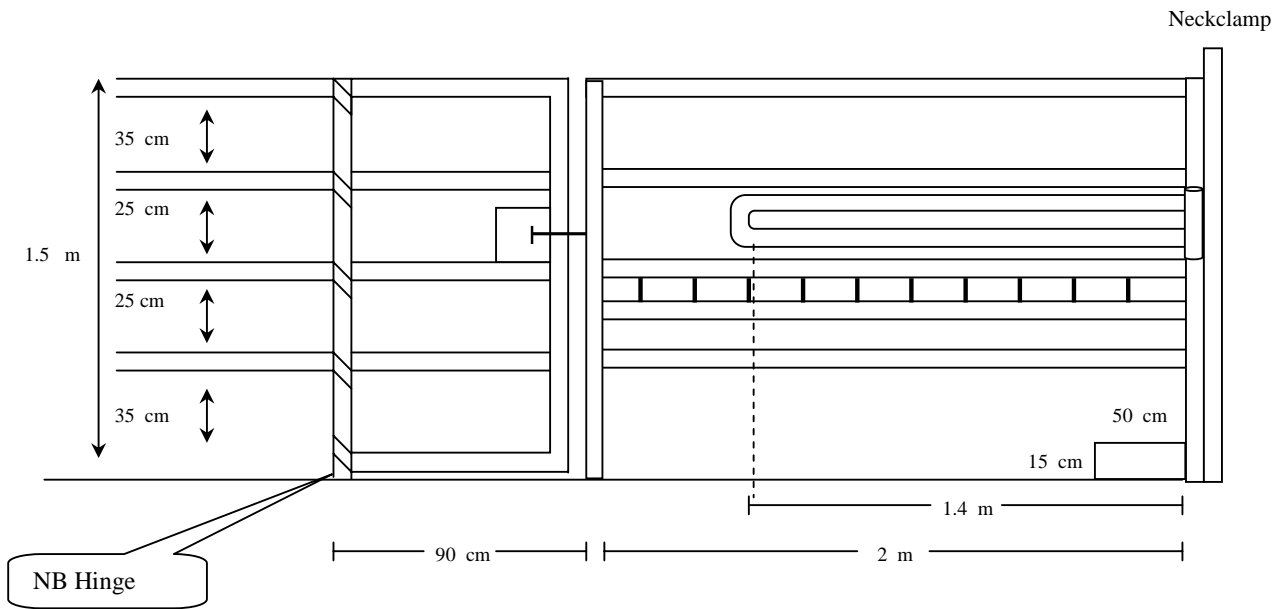
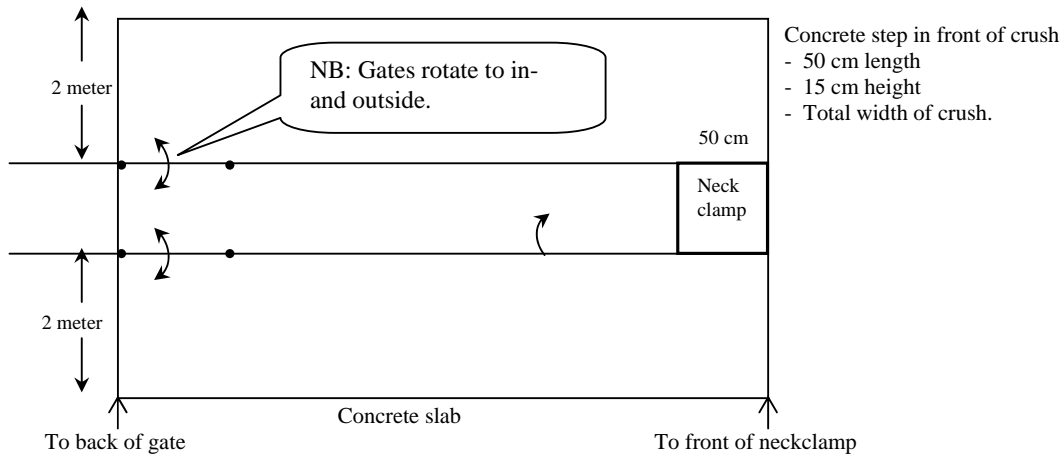
LABORATORY:

Equipped with electricity, water, table or laboratory shelf and toilet



Roof over front section of crush joint to laboratory as in sketch.

FRONT VIEW OF CRUSH:



SWIVEL-PANEL AT RIGHTHAND SIDE OF CRUSH

